

Luminaire Specification

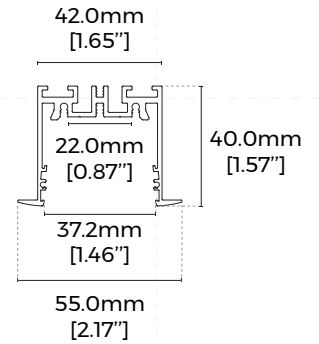
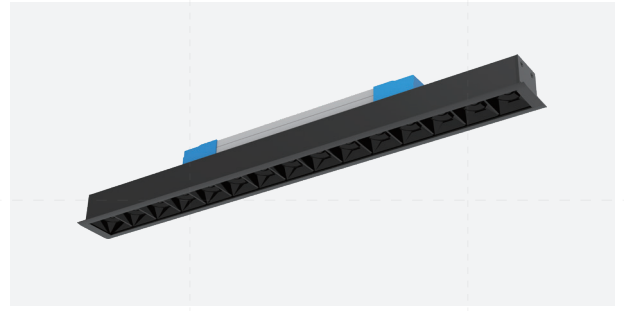
# LE40G

— LINE 40 series



## 【Basic Parameters】

- Material: AL6063-T5, spraying surface
- Coating: Black (RAL9005), White (RAL9003), Champagne Gold, Rose Gold, Matt Green(RAL6019), Matt Orange(RAL2008), Matt Yellow(RAL1004), Matt Blue(RAL5012)
- Length: 1200mm/1500mm /1700mm/2300mm optional
- IP grade: IP20
- CCT: 2700/3000/3500/4000/5000/6500/2700-6500K optional
- CRI: 80/90
- SDCM: <3 Step (ANSI)
- Beam angle: 18°/30°/45°
- U G R: UGR≤10(X=4H,Y=8H) (18°/30°), UGR≤19(X=4H,Y=8H)(45°)
- Light efficiency: 60(18°) /80(30° / 45°)(CCT tunable) lm/W、80(18°) /100(30° / 45°)(Normal&Emergency) lm/W
- Input voltage: AC200-240V
- Lighting direction: downward
- Dimming method: Non / 1-10V / DALI+push optional
- Application: Indoor
- Certification: CE, UKCA, ROHS, Reach
- Warranty: 5 years(Emergency power version:3 years)



## 【Luminaire Parameters】

Version	Model	Length	Input Voltage (V)	Max. Current (A)	Type Power (W)	Max. Power (W)	Beam Angle (°)	CRI	CCT	Lumen (LM)	
Normal/ Emergency	LE40C	1200mm [3.94ft]	200-240 VAC	0.15 [0.04A/ft]	30.0 [7.61W/ft]	33.0 [8.38W/ft]	30°/45°	>80	2700K	2790 [710LM/ft]	
									3000K	2850 [725LM/ft]	
									3500K	2910 [740LM/ft]	
									4000K	3000 [760LM/ft]	
									5000K	3000 [760LM/ft]	
									6500K	3000 [760LM/ft]	
									>90	2700K	2400 [610LM/ft]
										3000K	2450 [620LM/ft]
3500K	2505 [635LM/ft]										
4000K	2580 [655LM/ft]										

Normal	LE40G	1500mm [4.92ft]	200-240 VAC	0.21 [0.04A/ft]	40.0 [8.13W/ft]	44.0 [8.94W/ft]	30°/45°	>80	2700K	3720 [755LM/ft]
									3000K	3800 [770LM/ft]
									3500K	3880 [790LM/ft]
									4000K	4000 [815LM/ft]
									5000K	4000 [815LM/ft]
									6500K	4000 [815LM/ft]
	>90	2700K	3200 [650LM/ft]							
		3000K	3270 [665LM/ft]							
		3500K	3335 [680LM/ft]							
		4000K	3440 [700LM/ft]							
	>80	1700mm [5.58ft]	200-240 VAC	0.23 [0.04A/ft]	44.0 [7.89W/ft]	48.4 [8.67W/ft]		2700K	4090 [735LM/ft]	
								3000K	4180 [750LM/ft]	
								3500K	4270 [765LM/ft]	
								4000K	4400 [790LM/ft]	
								5000K	4400 [790LM/ft]	
								6500K	4400 [790LM/ft]	
	>90	2700K	3520 [630LM/ft]							
		3000K	3595 [645LM/ft]							
3500K		3670 [660LM/ft]								
4000K		3785 [680LM/ft]								
>80	2300mm [7.55ft]	200-240 VAC	0.31 [0.04A/ft]	60.0 [7.95W/ft]	66.0 [8.74W/ft]	2700K	5580 [740LM/ft]			
						3000K	5700 [755LM/ft]			
						3500K	5820 [770LM/ft]			
						4000K	6000 [795LM/ft]			
						5000K	6000 [795LM/ft]			
						6500K	6000 [795LM/ft]			
>90	2700K	4800 [635LM/ft]								
	3000K	4900 [650LM/ft]								
	3500K	5005 [665LM/ft]								
	4000K	5160 [685LM/ft]								

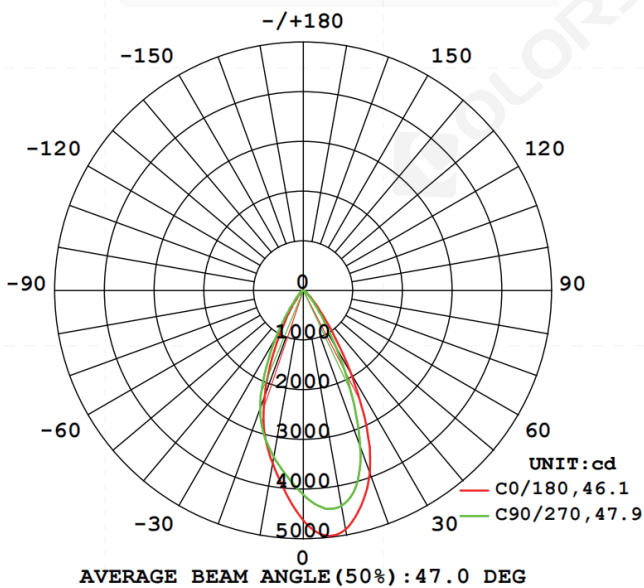
Dial switch CCT tunable	LE40C	1200mm [3.94ft]	200-240 VAC	0.16 [0.04A/ft]	30.0 [7.61W/ft]	33.0 [8.38W/ft]	30°/45° >90	2700K	2010 [510LM/ft]
								4000K	2400 [610LM/ft]
								6500K	2190 [555LM/ft]
								2700K	2680 [545LM/ft]
		1500mm [4.92ft]		4000K	3200 [650LM/ft]				
				6500K	2920 [595LM/ft]				
				2700K	2950 [500LM/ft]				
				4000K	3520 [595LM/ft]				
		1700mm [5.58ft]		6500K	3210 [545LM/ft]				
				2700K	4020 [510LM/ft]				
				4000K	4800 [610LM/ft]				
				6500K	4380 [555LM/ft]				
2300mm [7.55ft]	2700K	4020 [510LM/ft]							
	4000K	4800 [610LM/ft]							
	6500K	4380 [555LM/ft]							
	2700K	4020 [510LM/ft]							

Note:

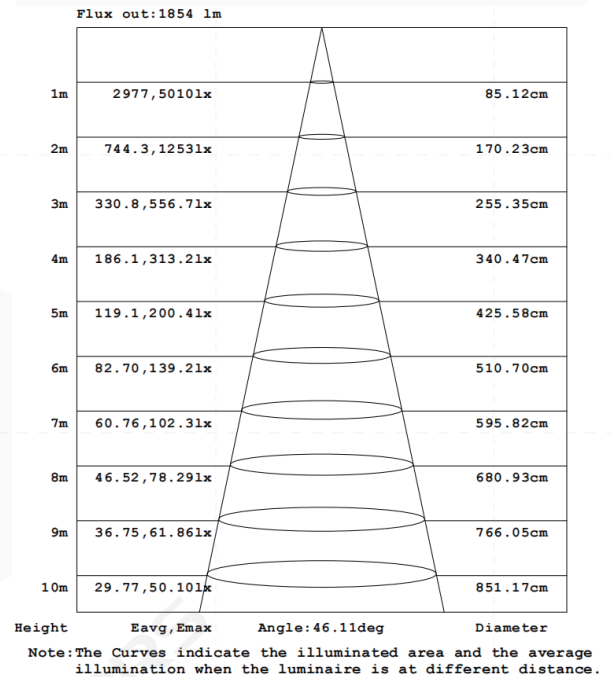
1. The output data is based on the testing result of Ra80,4000k,white luminaires;
2. The tolerance of output data can be vary up to 10%;
3. The output data is typical value;
- 4.The luminous flux of black luminaire is 100% of white luminaire.

## 【Optical Parameter】

[Normal/Emergency]

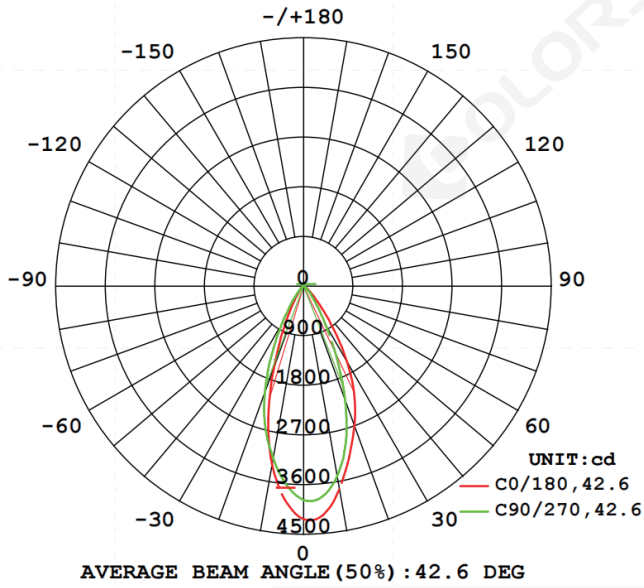


Luminous intensity  
distribution diagram

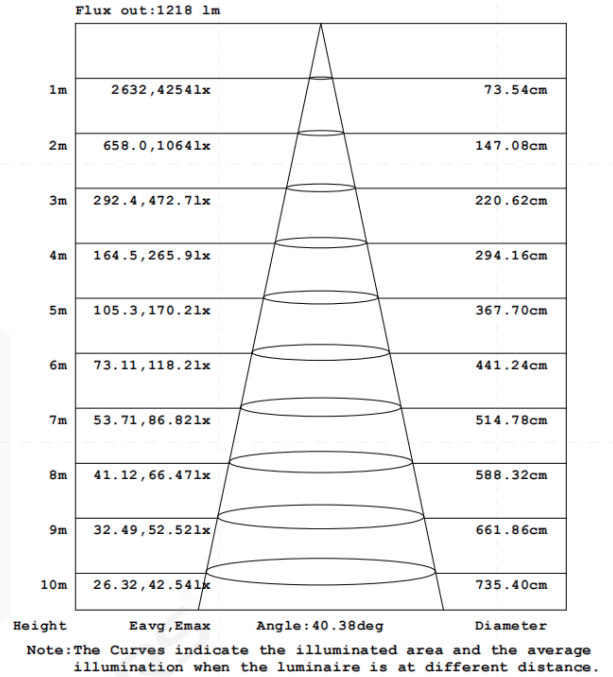


AAI Figure

[Dial switch CCT tunable]

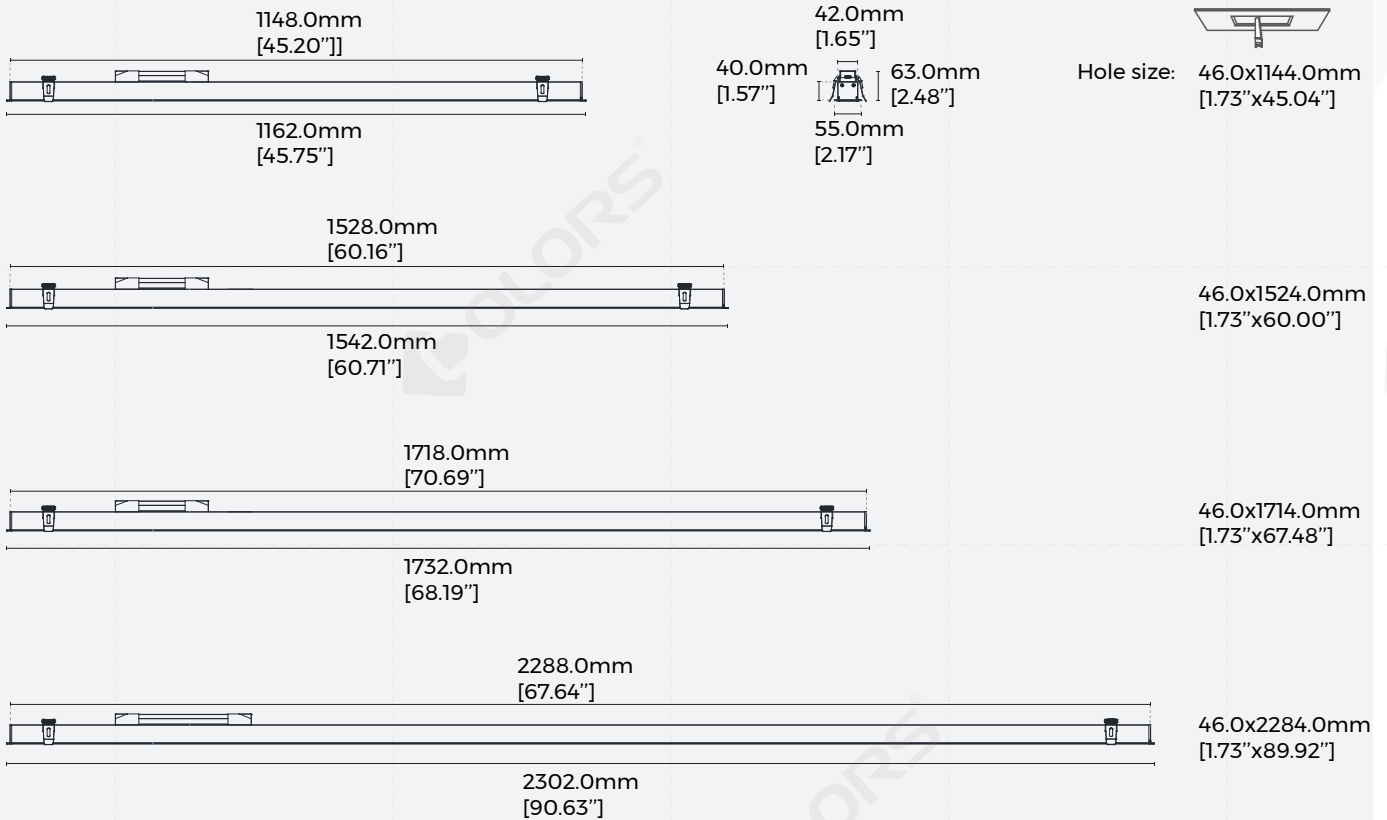


Luminous intensity distribution diagram



AAI Figure

**[Product mechanical data]**



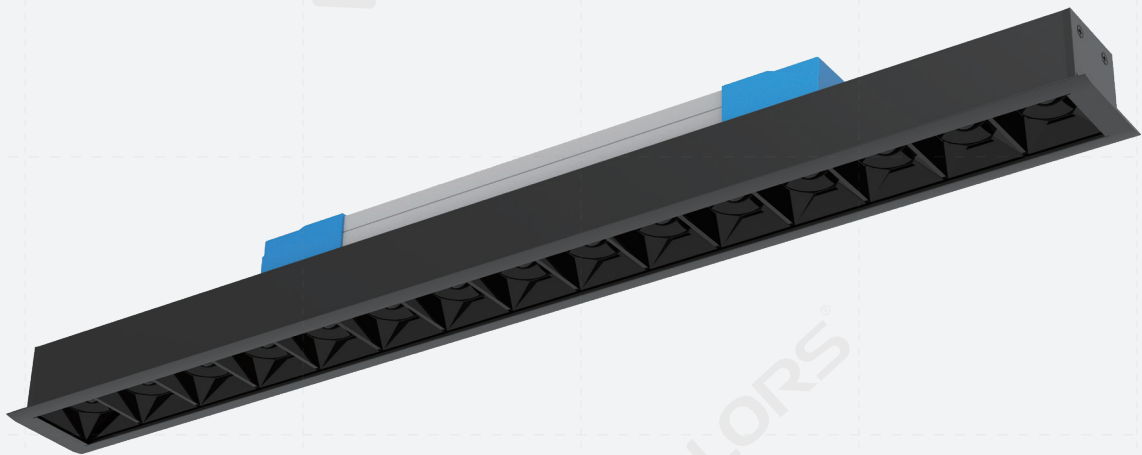
## [Product Accessories Information]

Picture	Section size	Name	Description	Model	Note
	/	Splicing bar (external)	Size:L80.0*W10.0*H2.0mm [Inch size:L3.15"*W0.39"*H0.08"]	EX-E1	Splicing accessory
		L-shaped corner (60°)	Material:AL6063-T5 Size:L200*W173.2*H40.0mm [Inch size:L7.87"*W6.82"*H1.57"]	L60-LE40	Recessed standard corner
		L-shaped corner (90°)	Material:AL6063-T5 Size:L200*W200*H40.0mm [Inch size:L7.87"*W7.87"*H1.57"]	L90-LE40	
		L-shaped corner (120°)	Material:AL6063-T5 Size:L200*W200.7*H40.0mm [Inch size:L7.87"*W7.90"*H1.57"]	L120-LE40	
		Y-shaped corner	Material:AL6063-T5 Size:L373.9*W323.8*H40.0mm [Inch size:L14.72"*W12.75"*H1.57"]	Y120-LE40	
		X-shaped corner	Material:AL6063-T5 Size:L400*W400*H40.0mm [Inch size:L15.75"*W15.75"*H1.57"]	X90-LE40	

## [Version Type]

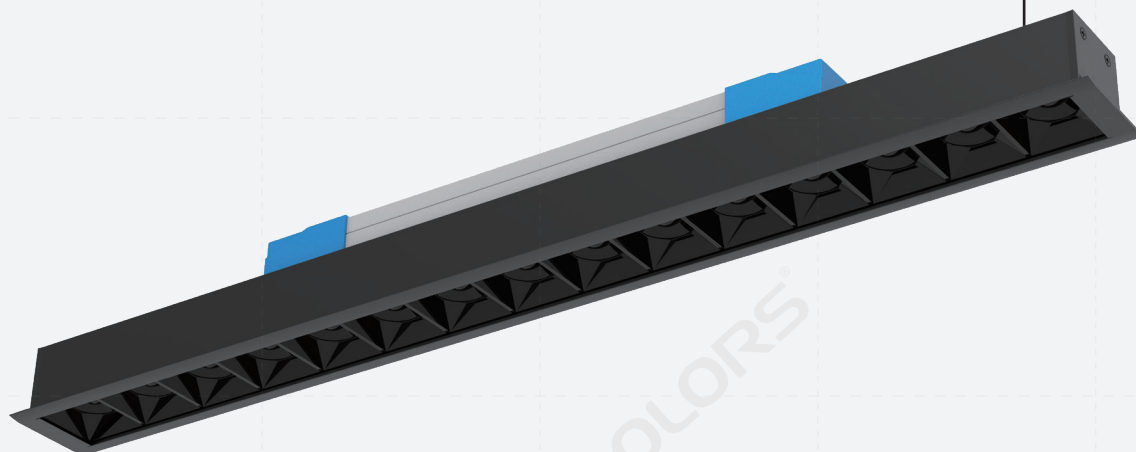
### [Normal]

- 80(18°) / 100(30° / 45°)lm/W
- Dimming method: Non / 1-10V / DALI+push



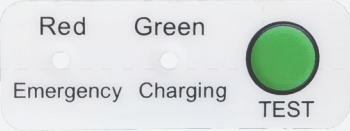
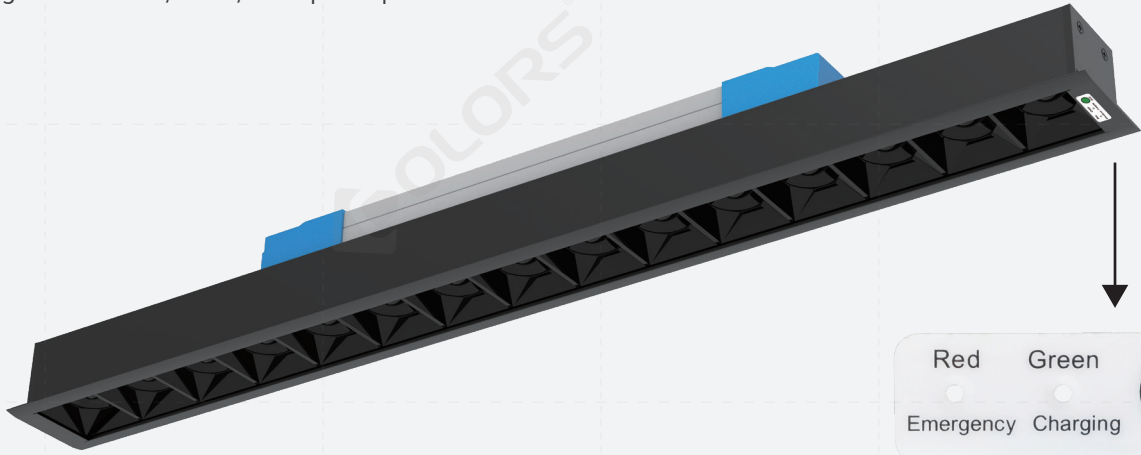
**[Dial switch CCT control]**

- Dimming method: Non/ 1-10V/ DALI+push optional
- 2700K/4000K/6500K 3-tier CCT adjustable, can achieve general lighting demands



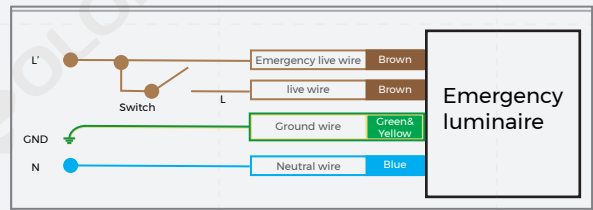
**【Emergency model】**

· Dimming method: Non / 1-10V / DALI+push optional



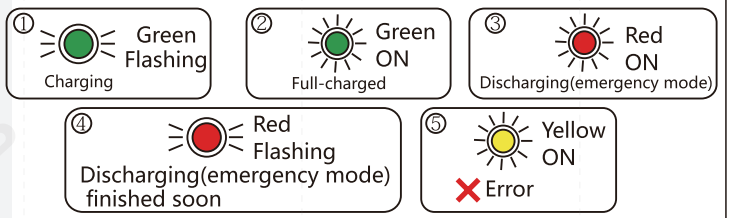
**· Technical parameters:**

- Input voltage: 220-240VAC/50-60Hz
- Input current/power: 50mA/4W
- Charging time: 24 hours
- Power(emergency mode): 4W constant power output
- Battery capacity: 7.4V 2500mAh
- Emergency time: ≥3 hours
- Emergency light efficiency: ≥80(18°) / 100(30°/45°)lm/W



**Indicator light introduction**

- ① Green/flashing: Charging
- ② Green/on: Full-charged
- ③ Red/on: Discharging(emergency mode)
- ④ Red/flashing: Discharging(emergency mode) finished soon
- ⑤ Yellow/on: Error



**Test switch introduction**

Press the test switch to confirm whether the emergency function is normal





## 【Packing】

Model	Size (mm/box)	Quantity /box	Quantity /carton	NW (kg)	NW /carton/(kg)	GW (kg)	Size (mm/carton)
LLS-LE40GHXBS1200(N)- T30NW8N-DC	1200*75*67.5 [47.24"*2.95"*2.66"]	1	4	1.76	7.04	8.52	1220*170*155 [48.03"*6.69"*6.10"]
LLS-LE40GHXBS1500(N)- T40NW8N-DC	1580*75*67.5 [62.20"*2.95"*2.66"]	1	4	2.13	8.52	10.29	1600*170*155 [63.00"*6.69"*6.10"]
LLS-LE40GHXBS1700(N)- T44NW8N-DC	1770*75*67.5 [69.69"*2.95"*2.66"]	1	4	2.49	9.96	12.05	1790*170*155 [70.47"*6.69"*6.10"]
LLS-LE40GHXBS2300(N)- T60NW8N-DC	2340*75*67.5 [92.13"*2.95"*2.66"]	1	4	3.22	12.88	15.58	2360*170*155 [92.91"*6.69"*6.10"]

## 【Attentions】

- 1、 Non-professionals are prohibited from installing, disassembling and repairing the product.
- 2、 Avoid scratching, distortion and irregular bending of the product during installation; otherwise it may cause irreparable damage to the product.
- 3、 Please use professional cutting tools when cutting.
- 4、 Do not use any acid or alkaline adhesive to fix products.
- 5、 The product is only suitable for indoor dry places, can not be used in outdoor, seaside or wet environment.
- 6、 PC features: Each 10°C rise or drop will make diffuser extend or shrink 0.8mm/m, please confirm before processing and use.